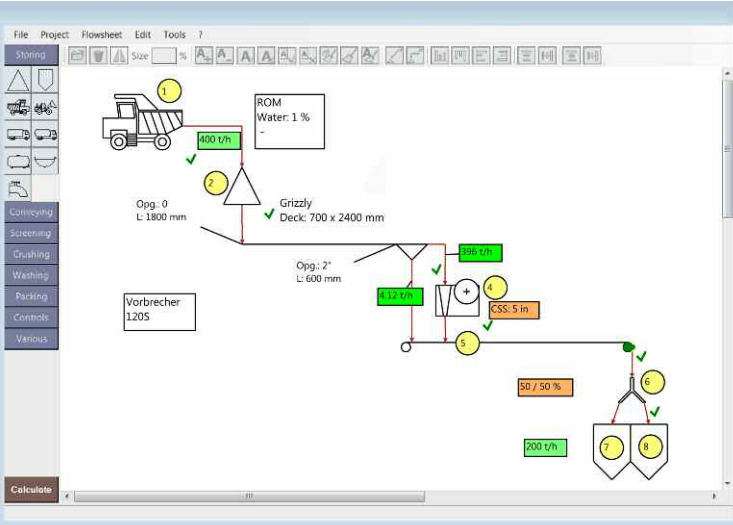


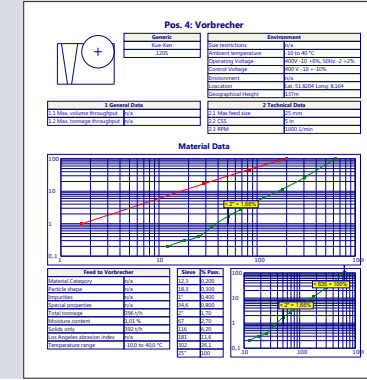
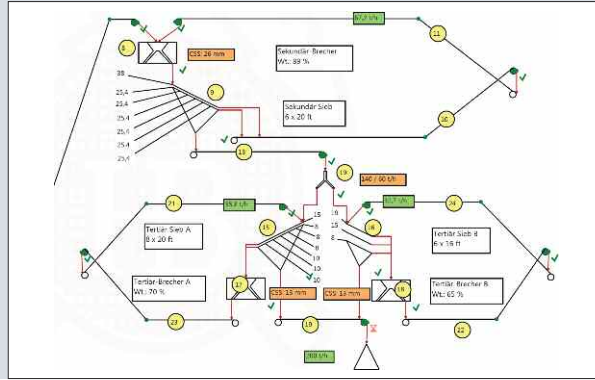
HAVER & BOECKER



NIAflow

The simulation software
for attaining excellent performance
at your processing plant





■ NIAflow areas of application

- Simulation of process-technical systems
- Design of new mineral processing plants
- Optimization of existing plants
- Product calculations
- Layout of blending processes
- Tender/offer generation

■ NIAflow functions

- Graphical display of processes
- Mathematical simulation of process-technical systems
- Wet and dry processes
- Closed material flow circuits
- Screening classification: mixed deck assignment
- Parametric, dynamic info-fields
- Limit value monitoring

■ Your advantages

- More rapid analysis of existing/new processes
- Simple recording of plant status
- Efficient process optimization
- Recognizing potential for optimization

■ Object groups

- Storing
- Conveying
- Screening
- Crushing
- Washing
- Packing
- Controls
- Various

Your access to NIAflow

At www.niaflow.com you can find out more about the NIAflow range. HAVER & BOECKER invites you to a free download of NIAflow Basic.

■ NIAflow: The basis of engineering

Phase 1: APPRAISE	Phase 2: SELECT	Phase 3: DEVELOP	Phase 4: SPECIFY	Phase 5: EXECUTE
PRELIMINARY EVALUATION	BASIC ENGINEERING	FRONT END ENGINEERING	DETAILED ENGINEERING	CONSTRUCTION MANAGEMENT
Level of detail				

The HAVER & BOECKER process simulation program is an important building block in executing process-technical projects.

NIAflow supports the user in every engineering phase: From drawing up flow diagrams to product calculations, from generating tender documents for supplier inquiries and extending to the start-up of a plant by simulating parameter changes.

NIAflow: Process simulation software

by HAVER & BOECKER

The logical linking of single machines and systems – as well as dry and wet processing technology – allows the user to lay out entire plants.

Available up to 70 different process-technical units that can be connected in a flow diagram.

NIAflow calculates the resulting mass and volumetric flows while taking into account the machine-specific operating parameters which HAVER & BOECKER has accumulated over its decades-long experience as a machine and plant supplier.

Moreover special tools for project work were implemented in the development of NIAflow. Consequently the individual objects are systematically depicted in the project equipment list and an additional machine and systems specification is generated.

Here up to 200 layout parameters per object can be displayed, whereby the depth of information can be prescribed beforehand by the user. With the help of these project tools, for example, inquiries to suppliers can be standardized or technical offers can be drawn up more efficiently.

HAYER & BOECKER OHG

HAYER Mining

Carl-Haver-Platz 3, 59302 Oelde, Germany

Phone: +49 2522 30-8499

E-mail: mining@haverboecker.com

Internet: www.haverboecker.com

Download: www.niaflow.com